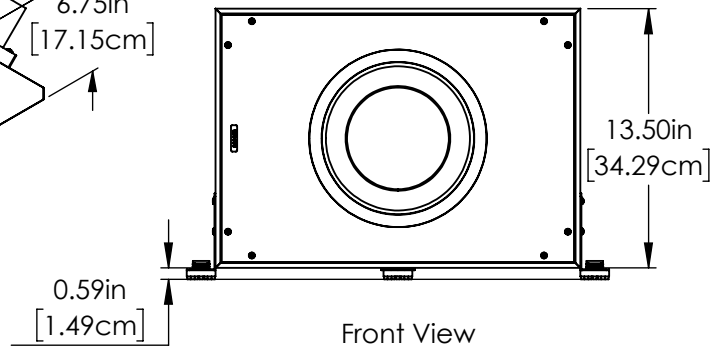
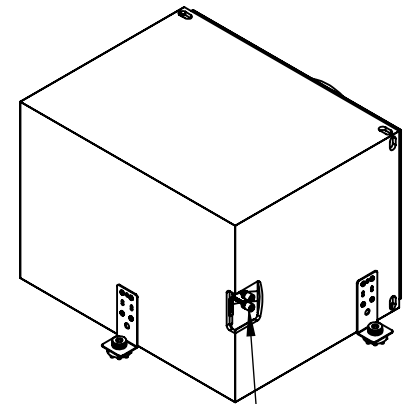


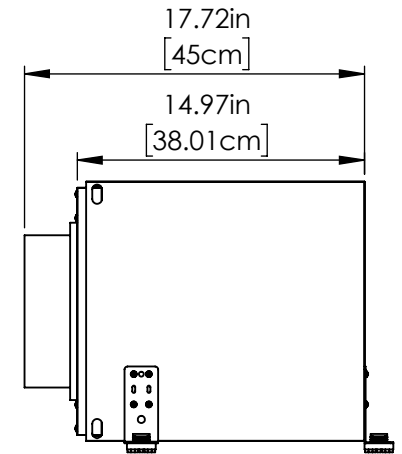
Top View



Front View



Binding Post Cup



Front View (Right)



TRIAD SPEAKERS, INC.
15835 NE CAMERON BLVD
PORTLAND, OR 97230
TEL: 503.256.2600
FAX: 503.256.5966
1.800.666.6316

InWall Silver FlexSub

PROPRIETARY AND CONFIDENTIAL: THE INFORMATION CONTAINED IN THIS DRAWING IS THE SOLE PROPERTY OF TRIAD SPEAKERS, INC. ANY REPRODUCTION IN PART OR AS A WHOLE WITHOUT THE WRITTEN PERMISSION OF TRIAD SPEAKERS, INC. IS STRICTLY PROHIBITED.