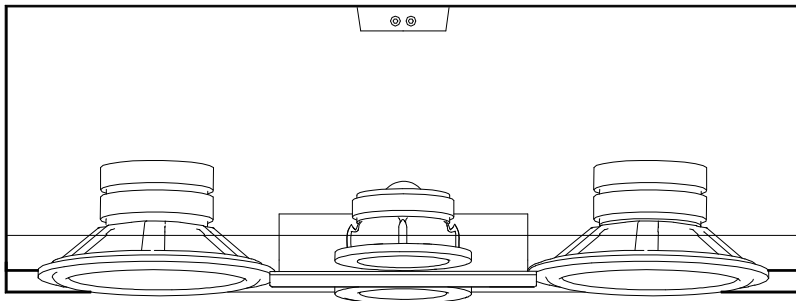
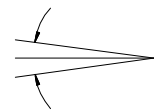


Top View

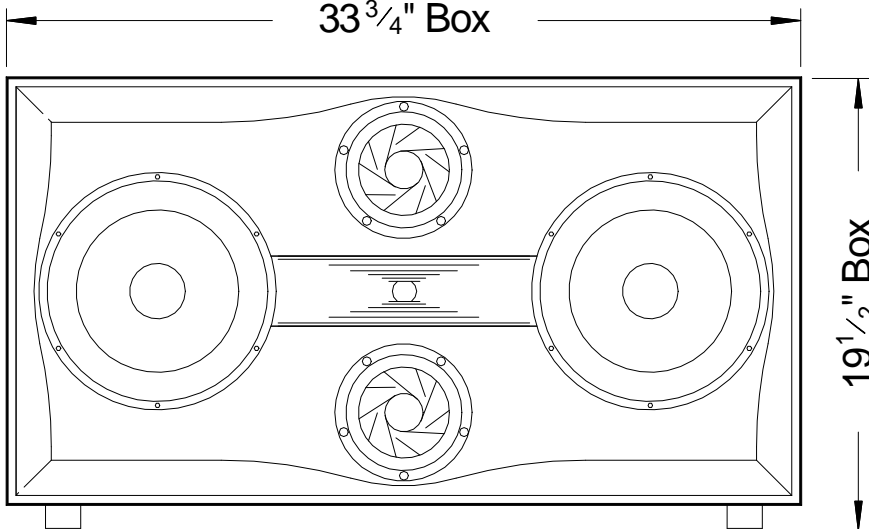


Bracing not shown.

Box tilts $\pm 4^\circ$



33 $\frac{3}{4}$ " Box

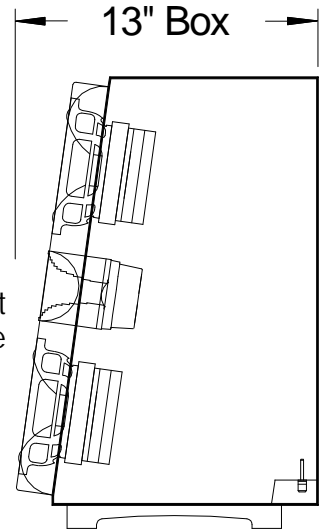


19 $\frac{1}{2}$ " Box

Front View

13" Box

Box Front
8° Angle



Side View