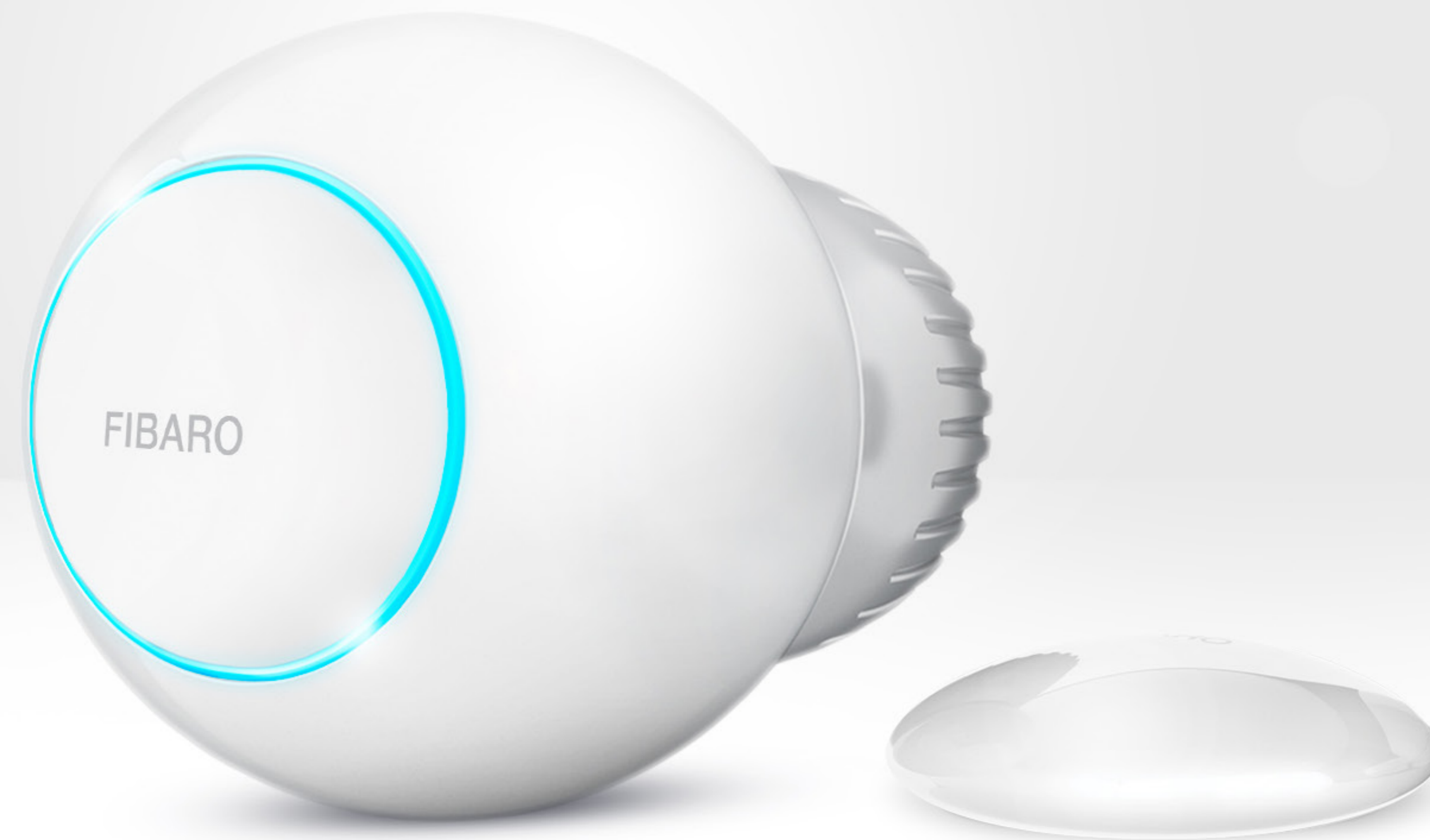


# THE HEAT CONTROLLER

THE MOST INTELLIGENT THERMOSTAT. EVER.



# INNOVATIVE ROOM ANALYSIS ALGORITHM AND COLOR CONTROL

Simplicity combined with technology is the key to revolution. Based on the cubic capacity of your room, our thermostatic radiator head, calculates how much time it takes to reach the temperature you want. Moreover, the current temperature is indicated by the appropriate ring color. You no longer have to read the temperature on poor displays. Try, set your temperature and discover the color language.



Protected  
design



# SPECTACULAR ARRAY OF POSSIBILITIES

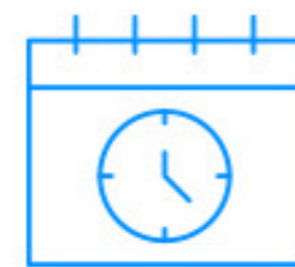
See how amazingly simple and efficient heating management can be. You can install the FIBARO The Heat Controller on any number of radiators and they will co-operate with each other to provide the optimum temperature. No other controller offers such a level of heating comfort and such an array of possibilities. Wherever you are, whenever you are: use your hand, use your voice or use your mobile app to have precision control of the heating in every room in your home.



Innovative heating zone management



Precise temperature measurement



Schedule mode with the possibility of introducing temporary changes



Pioneering algorithms used for adaptive self-programming



Significant reduction of heating costs



Comfortable, cost-effective battery charging once a season

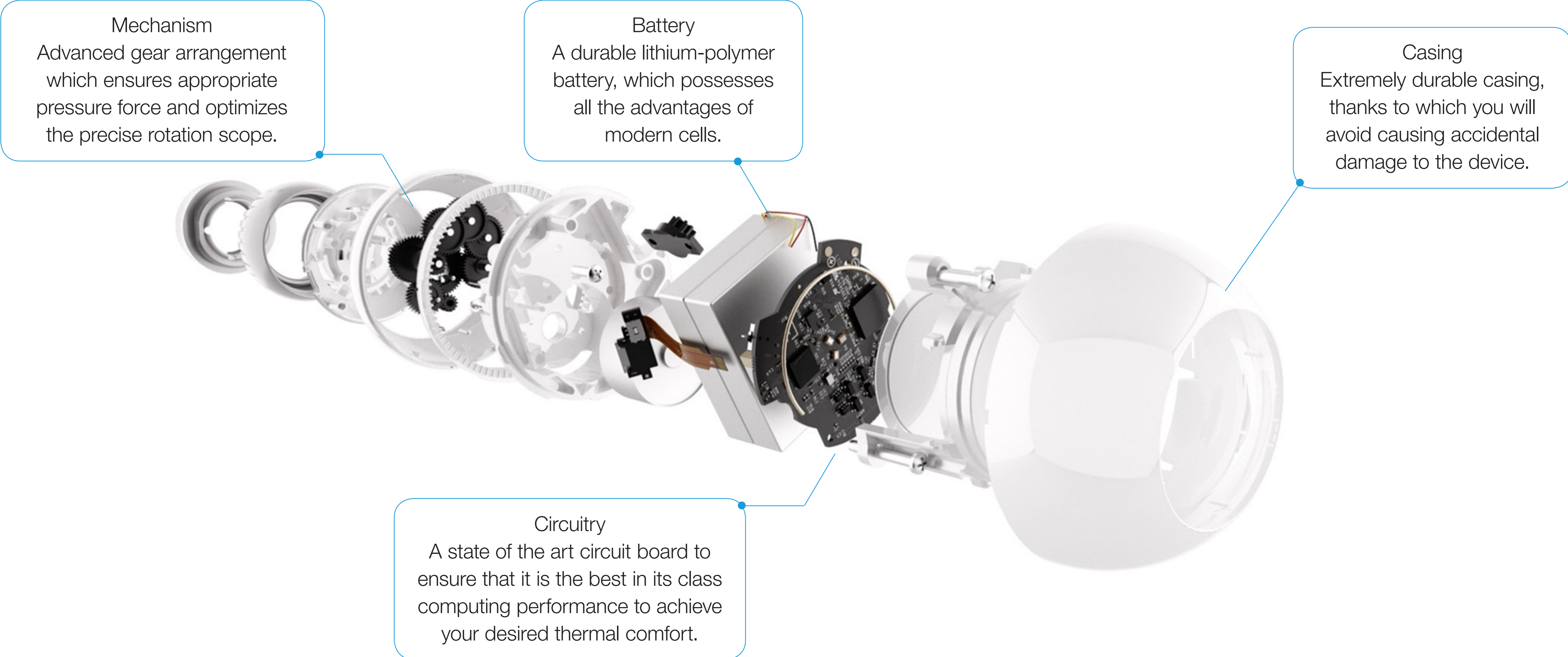
The FIBARO The Heat Controller is an intelligent, radiator thermostatic head, which controls the temperature in the room, using the in-built or extra sensor and regulating the heat level automatically, according to your individual preferences.



FIBARO Temperature Sensor is an extra, wireless temperature sensor. By placing it anywhere you like, you will ensure the perfect temperature exactly where you want. It can serve as a point of reference for up to three radiator thermostatic heads at once.

# PERFECTION IN EVERY DETAIL

The most advanced technology and its unique design make the device a perfect whole, able to transform your home. Managing the temperature has never been as precise and as simple before.



# FIBARO SUPPORTS APPLE

The FIBARO System devices are based on Z-Wave technology, thanks to which they can work individually or in groups, communicating with one another, providing you with indefinite home automation management possibilities. According to our mission, to automate every single household and taking advantage of Apple's technology, FIBARO created new line of devices, which are now compatible with HomeKit.



# WHAT IS HOMEKIT?

Apple HomeKit offers simple and secure technology for home management. HomeKit technology provides advanced security with end-to-end encryption and authentication between a HomeKit-enabled accessory and your iPhone, iPad, or iPod touch.



Trademarks used for illustrative purposes.  
They are registered trademarks and are owned  
by different companies or individuals.

# HOW IT WORKS?

Use your iOS device through Apple TV or iPad, which serve as a hub in the home.  
Speak to command. Siri also knows the status of the HomeKit-enabled products in your home.\*



\*full support of Apple HomeKit technology depends on Apple Inc.

# FIBARO MOBILE APP

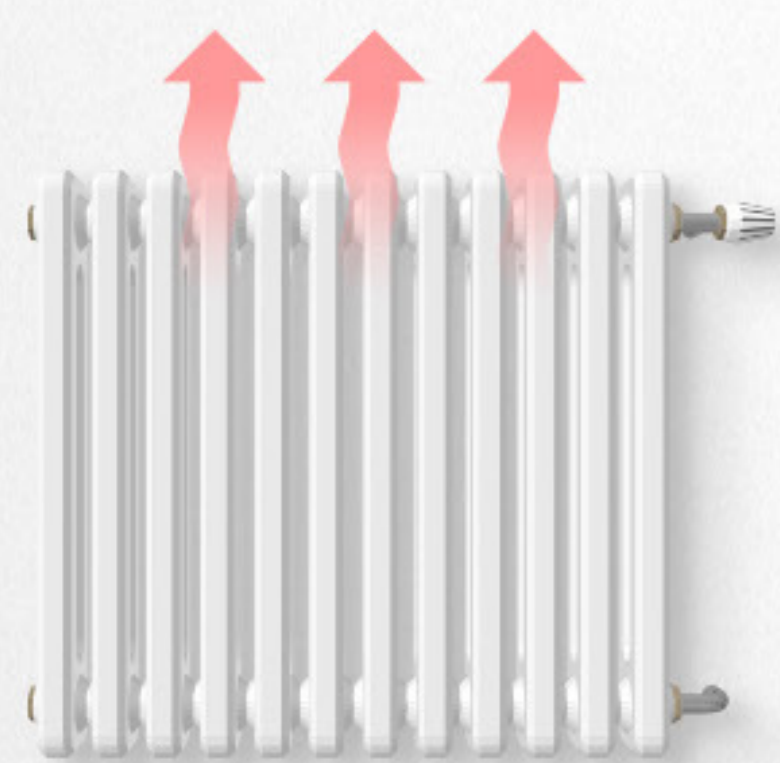
The FIBARO app makes installation and configuration extremely simple. Users get extended setting options for FIBARO devices - unavailable in the Home app. To add a FIBARO device working with Apple HomeKit, simply scan the code and confirm the installation.



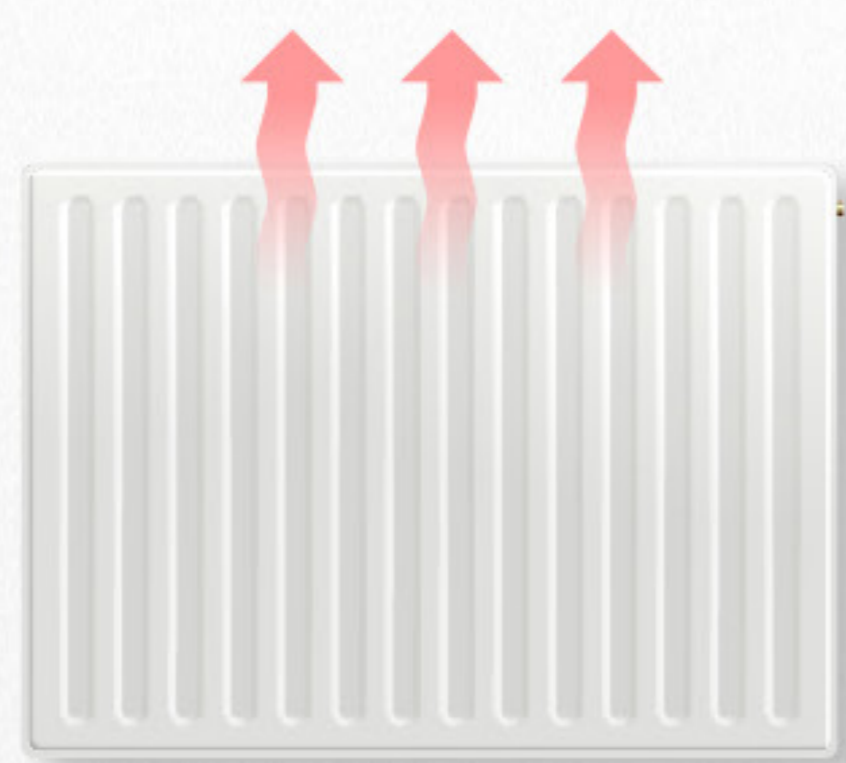
## A TYPICAL HEATING SYSTEM IS INEFFECTIVE...

Think, why would you warm up an entire building or let your apartment get cold? A house has many rooms, and each of them should be heated in an appropriate manner. Our thermostatic radiator head can provide the perfect answer.

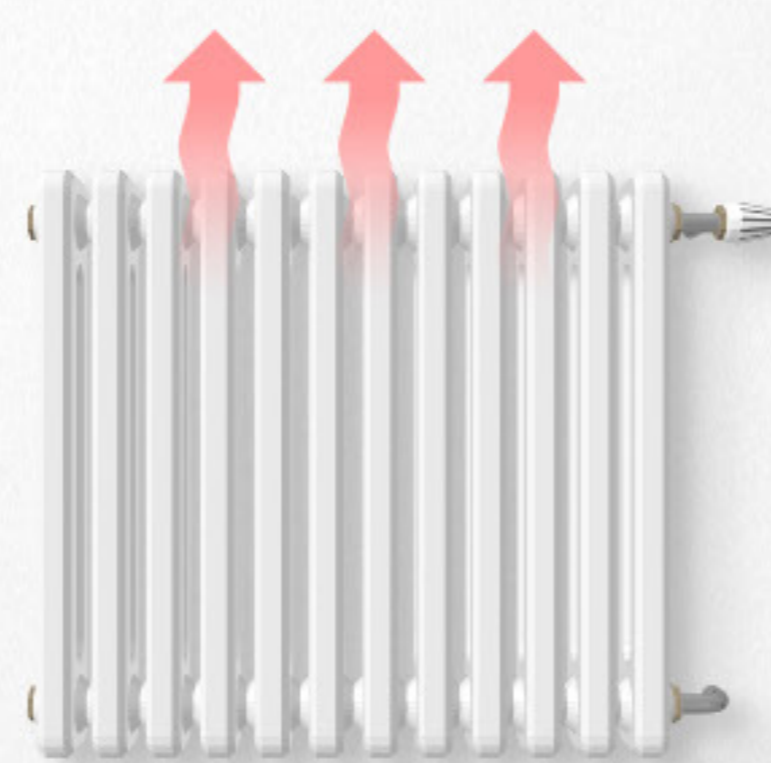
21°



Sypialnia



Łazienka



Salon

Typowy  Fibaro

## ...SO WE HAVE INTRODUCED A NEW SOLUTION.

FIBARO The Heat Controller can adjust radiators separately instead of the entire furnace to current room conditions such as the number of people in the room or the size of the radiators. All this to ensure the best conditions for you and your family, at the same time generating unprecedented savings.

18°



Sypialnia

22°



Łazienka

20°



Salon

Typowy  Fibaro

# INDIVIDUAL SCHEDULES

Tailor each room to your needs! Ensure maximum comfort by having the temperature of each room programmed to the time of day and to its use by you.



20.0°C  
THE CHILDREN'S ROOM



19.5°C  
THE BATHROOM

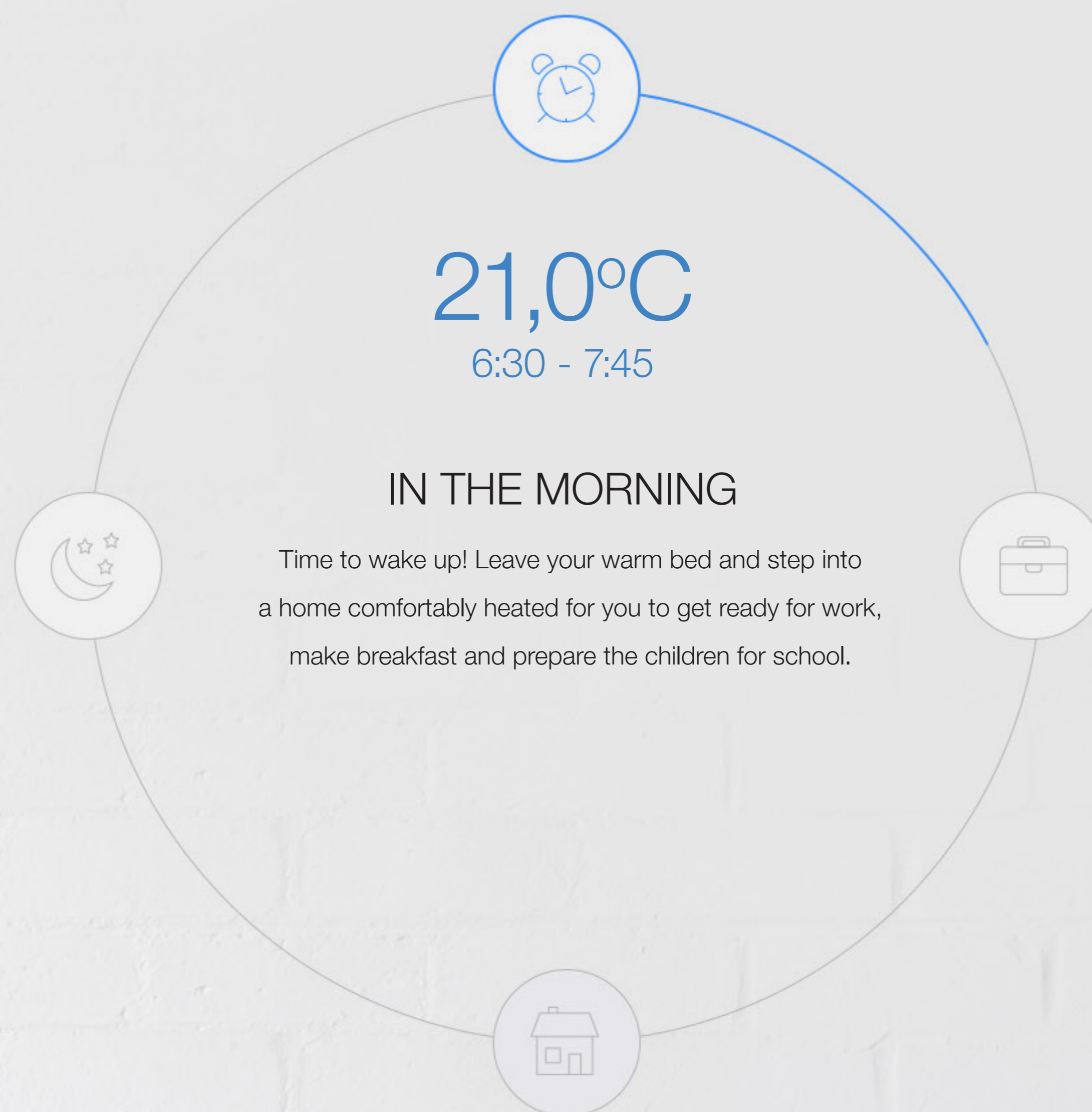


18.5°C  
THE BEDROOM

# IN PERFECT HARMONY WITH YOUR DAILY RHYTHM

## AT NIGHT

The radiator thermostatic head will lower the heat ensuring a comfortable nights sleep and provide a saving on bills by doing the same for unused rooms.



## IN THE MORNING

Time to wake up! Leave your warm bed and step into a home comfortably heated for you to get ready for work, make breakfast and prepare the children for school.

## AT WORK OR SCHOOL

An empty home. Whilst you are away the controller will maintain comfortable temperatures whilst providing savings on your bills.

## IN THE EVENING

Everybody home! The system will recognize how many people are in a room and set the temperatures accordingly.

# KNOWING MORE MEANS WORKING MORE PRECISELY

FIBARO The Heat Controller is the only device that learns so precisely and accurately about your rooms. At the beginning, the radiator head will scan the room, learn its layout and react accordingly. To manage heat intelligently, it will make full use of the extraordinary possibilities behind the pioneering algorithms used to build it.

18 min

to rise temperature to

20.0°C



Bedroom (28m<sup>2</sup>)

23 min

to rise temperature to

21.5°C

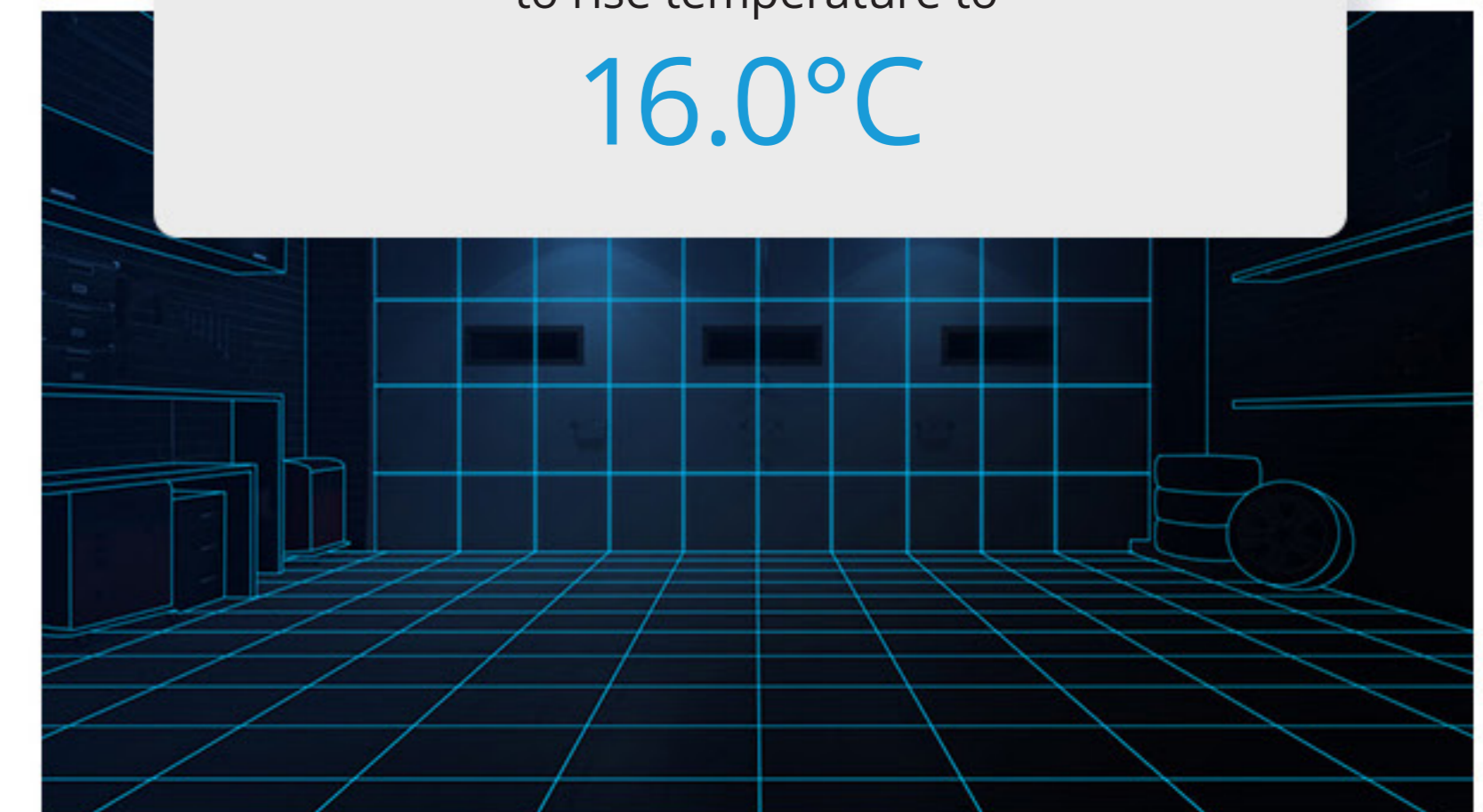


Living room (34m<sup>2</sup>)

35 min

to rise temperature to

16.0°C



Garage (43m<sup>2</sup>)

# NO MATTER WHAT!

The coldest winter in years! No problem for our thermostatic radiator heads! It will recognize how the walls of your home react to the cold yet the temperatures inside will stay the way you have set them.

14 min  
to rise temperature to  
21.0°C

# SAVING ENERGY AND MONEY

Trust FIBARO The Heat Controllers to make savings to your family budget whilst taking care of the environment.

Costs reduction\* of up to

# 42%

\* based on research by Fibar Group S.A.



## INNOVATIVE APPROACH TO SUPPLYING POWER

FIBARO The Heat Controller possess comfortable and cost-effective batteries, which can be charged using standard phone or power bank chargers. Once charged, they will work throughout the entire heating season\*, and if the battery is low, the device will remind you about the necessity to charge it itself. You won't have to look for or buy new batteries ever again.

\* depending on the settings.



# OPERATION CONTROL

Our thermostatic radiator head will control the operation of your heating system. Based on characteristic symptoms, FIBARO The Heat Controller will be able to diagnose whether the heater works correctly\*. You will immediately be notified in case of a failure in the system and you can decide how you wish to deal with it.



## THE HEAT CONTROLLER

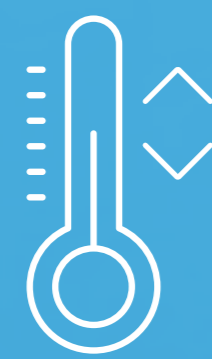
Cold water was supplied.  
Check if the heating system works correctly!

\* available soon



## ROOMS WITH NO SECRETS

Enjoy the convenience of an intelligently managed heating system. The FIBARO Heat Controller will react to the number of people in a room, an open window and another heat source like a fireplace. It will consider all these conditions and will provide a stable temperature ensuring comfort and savings.



Custom heat sources detected  
Heating has been adjusted

# PRECISE TEMPERATURE MEASUREMENT

The head may use an extra or an in-built temperature sensor\*. You can decide for yourself, where the measurement will be done. This way, you can avoid overheating or under heating. Because the temperature should be perfect where you are!

THE TEMPERATURE SENSOR  
19°C

\* The FIBARO Temperature Sensor can be purchased as part of the FIBARO Heat Controller set or separately.

# FRESH AIR WITHOUT WASTING THE HEAT AND MONEY

The FIBARO Heat Controller senses sudden temperature drops. In such cases, it can turn the heating off automatically.



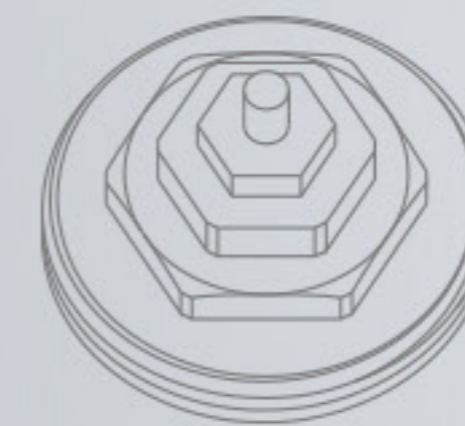
Window is open  
Turn the heating off

# WORKS WITH 98% OF RADIATOR TYPES

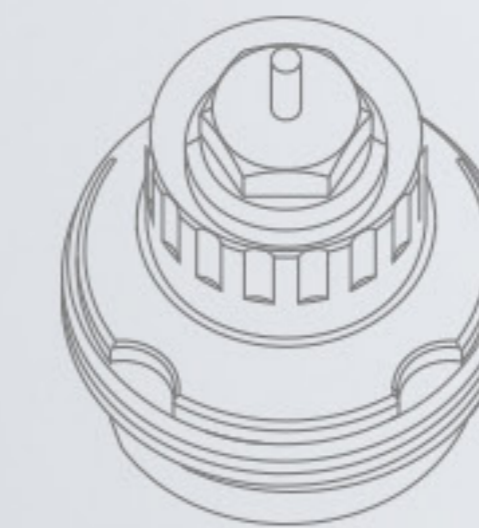
The head works with the most popular types of radiator valves. Thanks to the special adapters that come within the set, it can be mounted on 98% of radiators available on the market



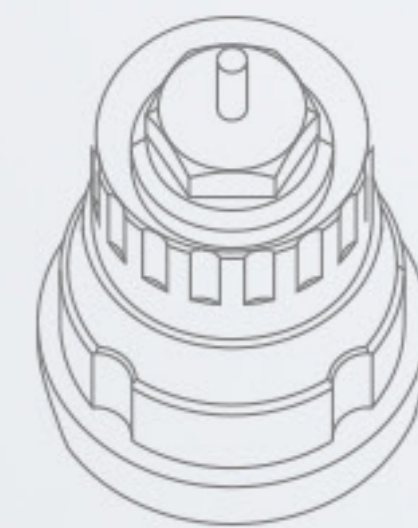
Fits most radiators



M30 x 1,5



RTD-N



RA-N

## FITS YOUR STYLE

The FIBARO The Heat Controller can be fitted to almost all types of radiators from traditional to modern, elegant radiators.



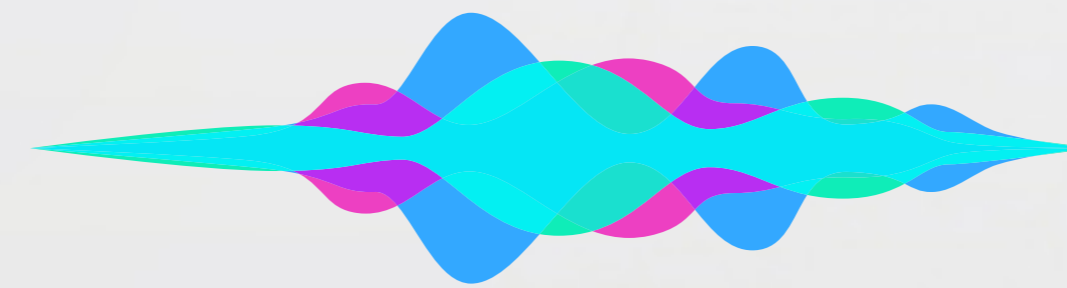


## EASY SETUP

Setting up the FIBARO Heat Controller does not require specialized tools and takes less than a minute. The mobile app leads you through the basic configuration and advanced options are available from the FIBARO system configuration panel. You can mount the device yourself or ask a professional installer from the FIBARO partner network for help.

# IT IS ALWAYS READY FOR YOUR VOICE COMMAND

If you do not feel like getting up from the sofa or even reaching for your phone, you can control the temperature using voice commands. This convenient feature is available on the Apple HomeKit voice interface.



Siri HomeKit

*'Set the temperature in the living room at 22°C.'*

# WHEREVER YOU ARE

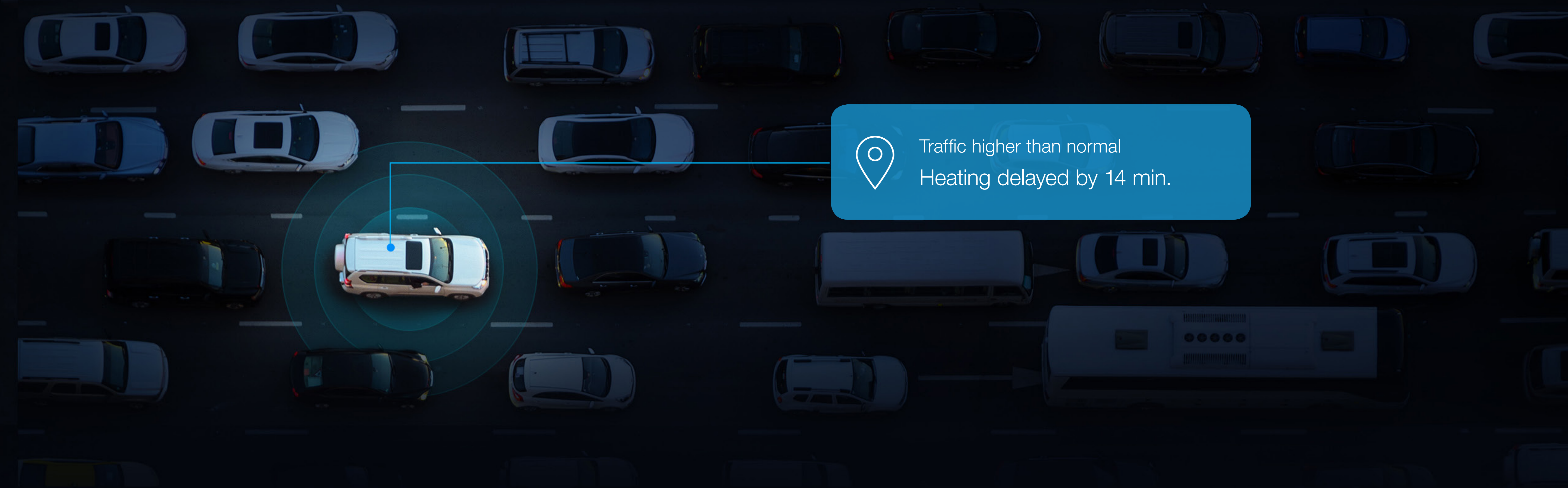
Wherever you are, whenever you are you may want to come home to a warm environment. By using the app you can set the a higher temperature remotely and be greeted by a cozy home when you arrive.



# A COZY HOUSE READY FOR YOUR ARRIVAL

The FIBARO System can activate heating when you're on your way home. Thanks to the geolocation possibilities\*, the thermostatic radiator head knows the time of your arrival. It will start increasing the temperature at the optimum moment in order to reach the perfect level of warmth when you arrive.

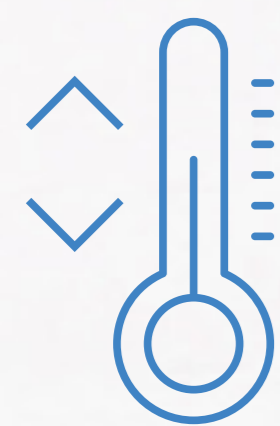
This function is perfect if your working hours are irregular or you want to heat that cottage in the country you only use at weekends.



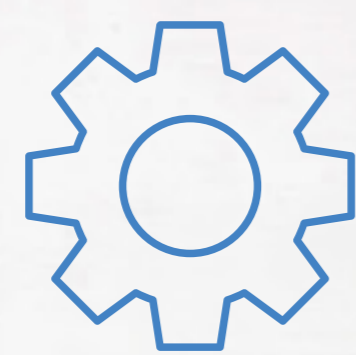
\* requires function of localization panel enabled in the FIBARO Home Center

# MOBILE AND INTUITIVE

The devices are manufactured in two versions - for the systems based on the Z-Wave protocol and for Apple HomeKit platform. In both cases, there are mobile apps that offer quick and easy configuration, simple operation and clearly presented key information.



SZYBKA  
INFORMACJA



PROSTA  
KONFIGURACJA



# CHANGING THE TEMPERATURE



## MANUAL HEATING CONTROL

You can adjust the temperature in a traditional way. Turn the knob to set the temperature level you expect. The radiator thermostatic head will consider the nature and the cubic volume of the room to reach the perfect temperature without excessive fluctuation.



## REMOTE HEATING CONTROL

Enjoy the convenience of controlling the heating using the mobile app. Control the heating from anywhere in the world. Thanks to the radiator thermostatic head, your smartphone and the FIBARO app, you can adjust the temperature with the accuracy of up to 0.5°C.



## INTELLIGENT HEATING CONTROL

With FIBARO system you can easily set the schedules tailored to your lifestyle. You can also interrupt the programmed settings - your manual change will be maintained for a period of time set by you and then the temperature will return to the previous settings.



## VOICE CONTROL

Start your command with Siri and tell our thermostatic radiator head what temperature you would like to set or ask it what temperature is in the bathroom before bathing.

## CHILD SECURITY LOCK

If the radiator thermostatic head is located in the children's bedroom or where a child can see it, you can secure it against changing the settings accidentally. Turn on the **local protection** mode, which disables manual control and watch your little explorers play with a smile on your face.



# HOLIDAY MODE

When you leave home for a couple days, you can easily turn on the **holiday mode** and stop worrying about the conditions in your house and the costs connected with them. By using the app, you can turn the special mode for holidays and longer trips with just one tap. You can do it when leaving the house or remotely from wherever you are.



## WHEN YOU FORGET...

“I forgot...!”. I forgot to close the window in the attic, the temperature drops, the pipes freeze, they burst. The result a flooded home. FIBARO The Heat Controller will save the day, it will not allow the temperature to drop down dangerously. It will also secure the functional part of the house against possible heat loss.

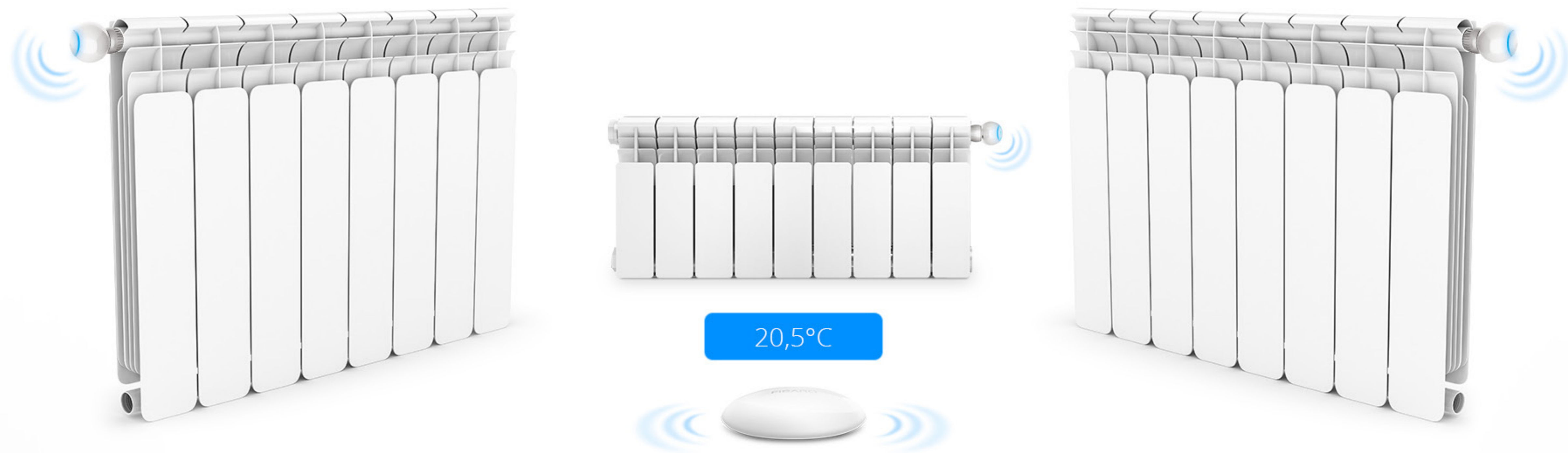
## UNIQUE SECURITY AGAINST COLD

Depending on your preferences, the FIBARO Heat Controller may turn the heating off when the room is being aerated or do the opposite - work in the mode which makes sure to keep the temperature constant even when the windows are open. Because we know that there are rooms, where the thermal comfort is more important than potential savings.

Use the FIBARO devices exactly how you need them.

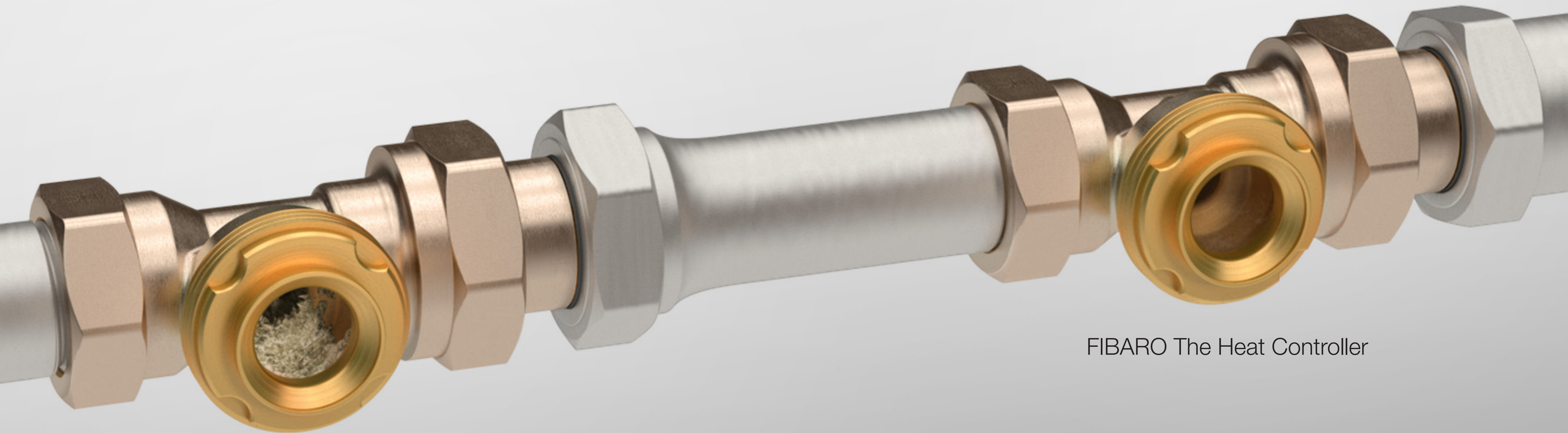
# COOPERATION FOR BETTER RESULTS

Mount the head on each radiator in the room and configure it with the FIBARO Temperature Sensor.  
Wherever you choose, the radiators will therefore create a consistent environment to work out maximum comfort and savings by cooperating together.



# SELF-SERVICE

A clogged heating system is an issue commonly ignored. Clogging can corrupt your system permanently. FIBARO The Heat Controller won't let dirt settle down in the valve, which could influence the quality and efficiency of its performance. The advanced technology used makes the device go into descaling mode on a regular basis preventing the installation from being clogged with scale. Therefore, you do not have to worry about the condition of the valves in your home.



FIBARO The Heat Controller

# AUTOMATIC CALIBRATION

FIBARO The Heat Controller is not only easy to mount but is also able to calibrate itself and check whether it is connected properly. In order to reach precision in controlling the heat exchanger flow, unheard of in similar devices, the head checks the distance and adjust to the scope of work of the spike. Thanks to that, you can be sure that the installation process runs and the device itself will work well.



THE HEAD IN THE GUEST ROOM.

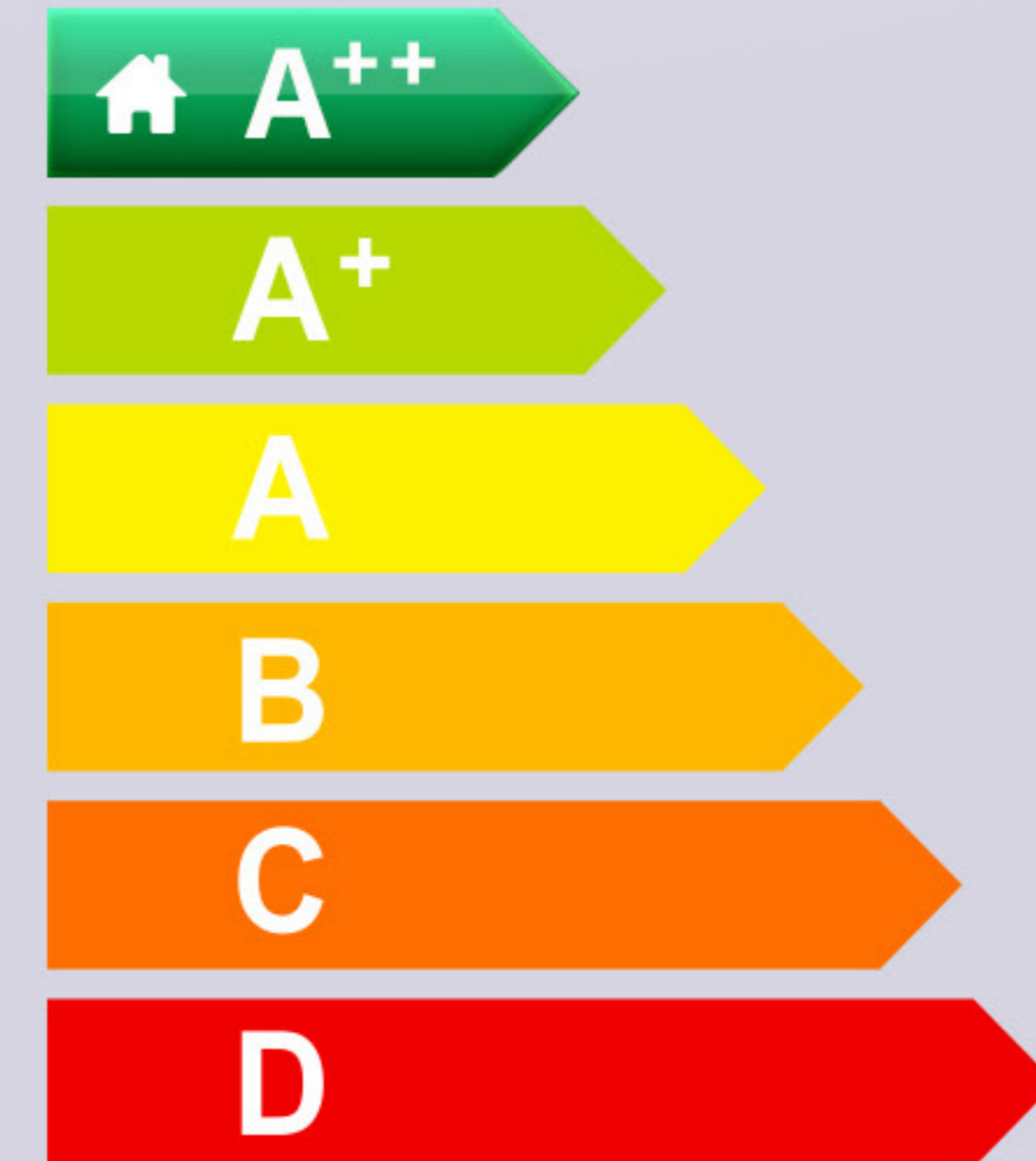
The calibration process ran smoothly





## FOR BETTER EFFICIENCY

Thanks to the algorithms used in FIBARO The Heat Controller and the Home Center, the system can be optimized for comfortable use but still generate significant energy savings. The heating is regulated in a precise manner, taking into consideration the many factors such as persons in the room, the thermal insulation of the building, the efficiency of the radiator and the heating system itself. See for yourself how to increase the heating efficiency in your home.

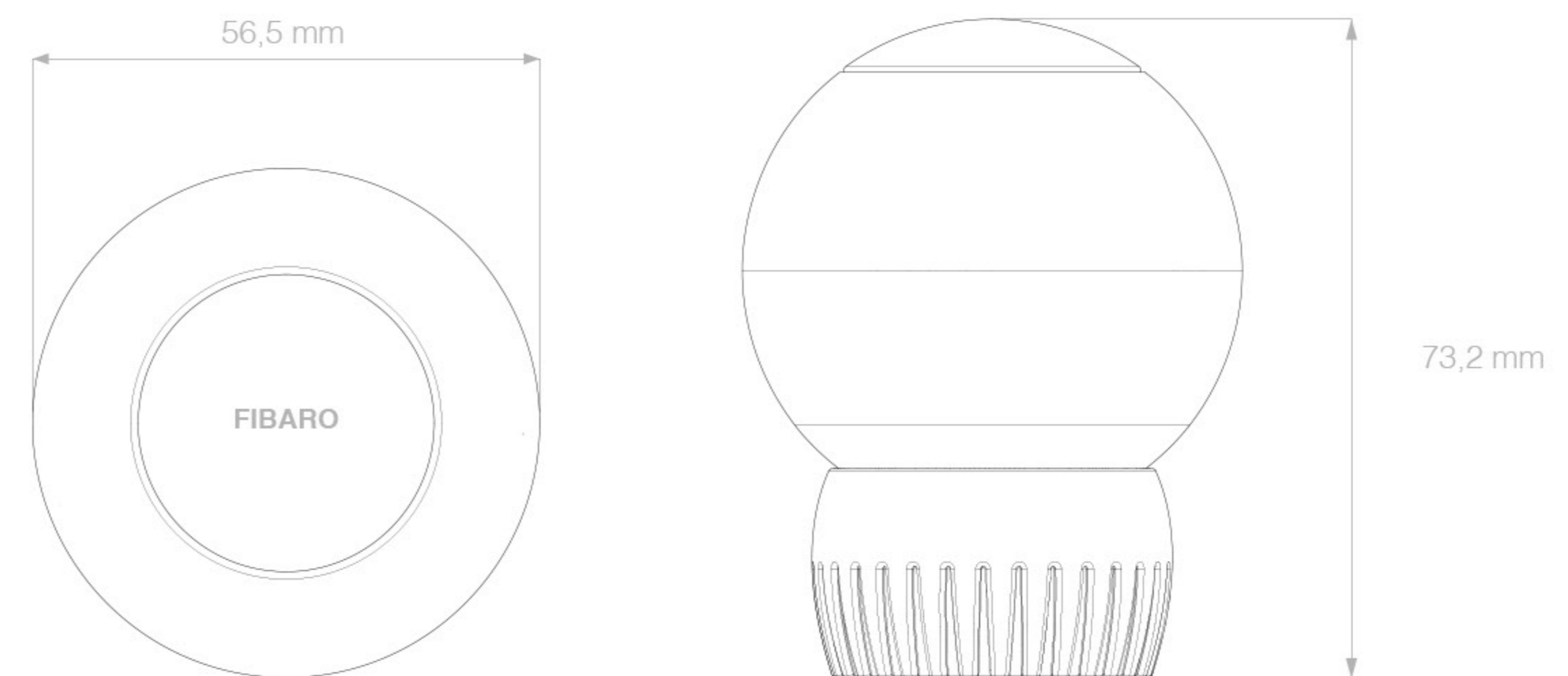


# ERGONOMIC DESIGN

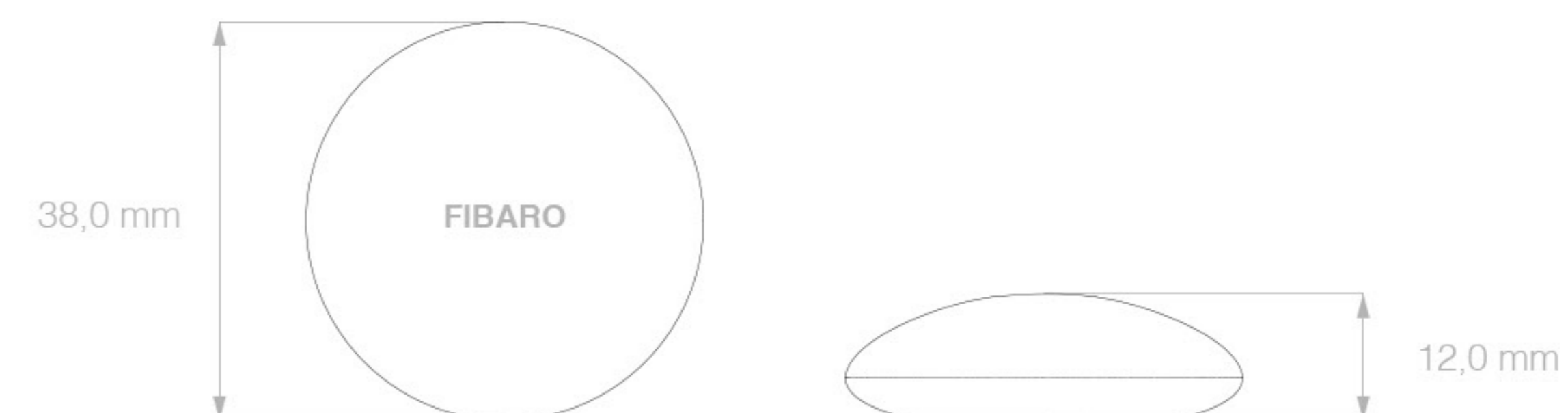
A small size and elegant design that fits comfortably in your hand makes the FIBARO The Heat Controller easy to use. The tiny pastille which is the FIBARO Thermostatic Sensor can be easily and safely placed wherever you want in a room.



FIBARO Thermostatic Head



FIBARO Temperature Sensor



# WIRELESS UPDATE

FIBARO The Heat Controller has been designed to get firmware updates automatically with just one click in mobile app.



# THE HEAT CONTROLLER



Complex scene sequences available



Smart notifications



Operation through an iOS app



Wide operating range



In-built rechargeable battery





*Thank you!*

[fibarocom](http://fibarocom)